

SPECIFICATION MODEL CX-800N

IMPEDANCE 50 Ohms.



VOLTAGE

ACTUATION DATA:

VOLTAGE:

Pull in 10Vdc - 14Vdc (12Vdc Nominal)
Drop out 1.5Vdc Min.
Current 250mA 12Vdc @20°C
Coil resistance ... 48 Ohms 10% @ 20°C

SWITCHING TIME

SWITCHING TIME:

Pull in 20ms max.
Drop out 15ms max.
LIFE EXPECTANCY ... 1,000,000. Operation min.

MECHANICAL

MECHANICAL:

Contact arrangement SPDT
Operational temperature - 50°C to + 70°C
Weight Approx 365gs.
Mounting 2 MTG holes
Cable connections 6N Type female connectors.

ELECTRICAL CHARACTERISTICS

ELECTRICAL CHARACTERISTICS:

Frequency MHz	VSWR Max	Isolation -dB(min)	Ins.Loss -dB(max)	IN PUT RF Power W
50	1.1	50	0.15	1000 CW
150	1.15	48	0.15	1000 CW
500	1.15	37	0.2	800 CW
1000	1.18	28	0.2	500 CW
1500	1.2	26	0.2	350 CW
2000	1.3	23	0.3	150 CW

COIL CHARACTERISTICS

COIL CHARACTERISTICS:

Nominal Voltage.

12Vdc

24Vdc

26.5Vdc

Voltage Range

10Vdc - 14Vdc

19Vdc - 26Vdc

20Vdc - 30Vdc

Resistance Ohms

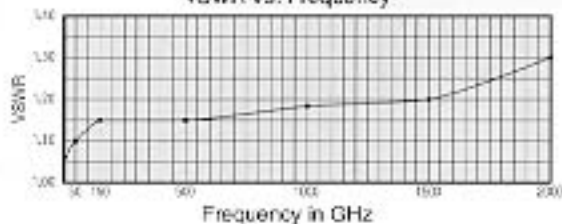
48 \pm 10% 20°C

192 \pm 10% 20°C

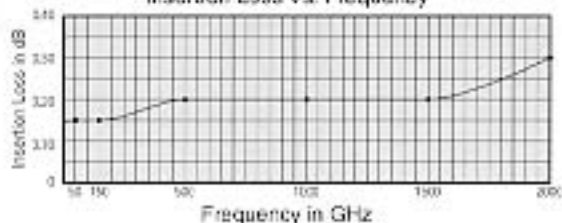
245 \pm 10% 20°C

Typical Operating Curves

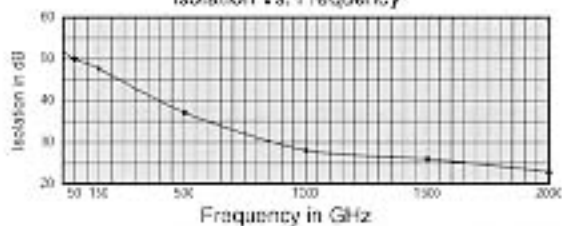
VSWR Vs. Frequency



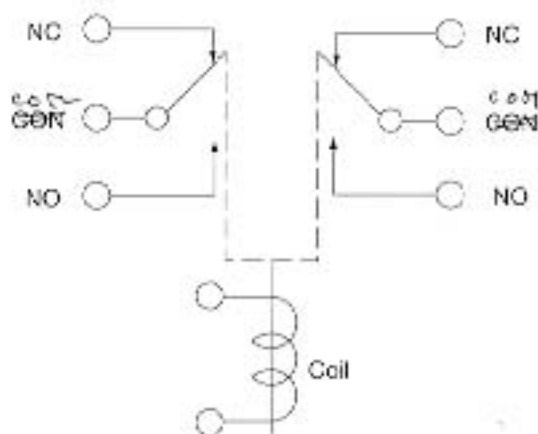
Insertion Loss Vs. Frequency



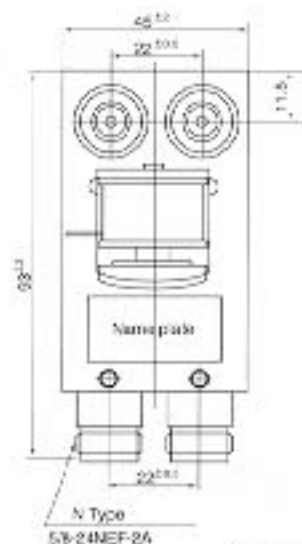
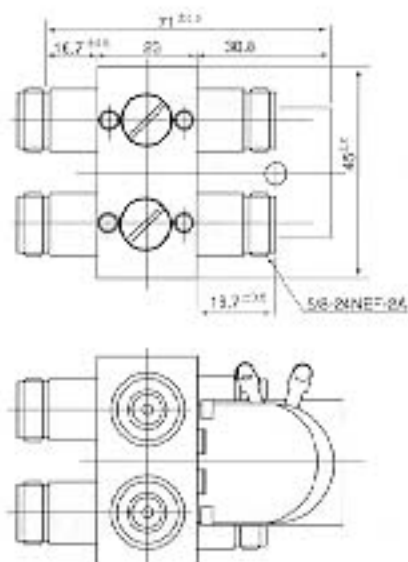
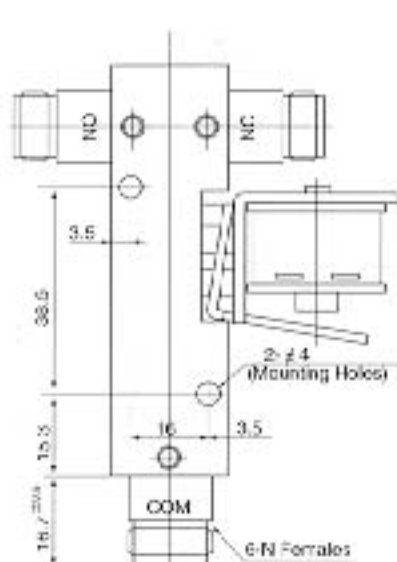
Isolation Vs. Frequency



Schematic



DIMENSIONS



SCALE m/m