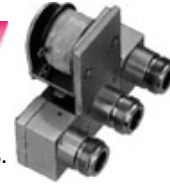


SPECIFICATION MODEL CZX-3500



IMPEDANCE 50 Ohms.

VOLTAGE

Pull in 10Vdc-14Vdc(12Vdc Nominal)
Drop out 3.0Vdc Min.
Current 230mA @12Vdc 20
Coil resistance 52 Ohms \pm 10% 20

SWITCHING TIME

Pull in 20ms max.
Drop out 18ms max.
LIFE EXPECTANCY 1,000,000. Operation min.

MECHANICAL

Contact arrangement SPDT
Operational temperature -25 to +50 (Max Temperature Rise:20)
Weight Approx 320gs.
Mounting Four screws
Cable connections 3 N Type female connectors.

ELECTRICAL CHARACTERISTICS

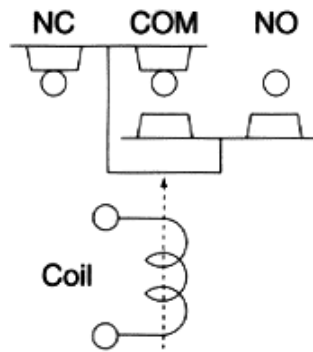
Frequency [MHz]	VSWR [Max]	Isolation [-dB(min)]	Ins.Loss [-dB(max)]	IN PUT RF Power [W(PEP)]
50	1.008	65	0.1	1000
150	1.01	65	0.1	1000
500	1.03	65	0.2	800
1000	1.06	65	0.25	600
2000	1.07	65	0.3	250
3000	1.1	60	0.3	50
4000	1.15	55	0.35	15

COIL CHARACTERISTICS

Nominal Voltage Voltage Range Resistance Ohms

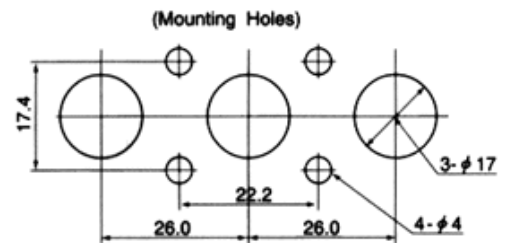
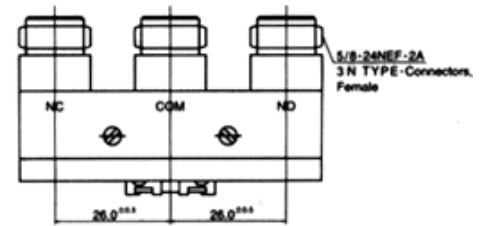
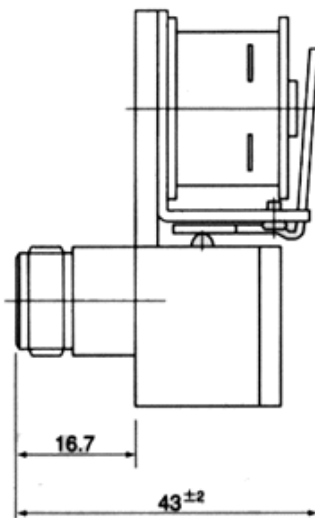
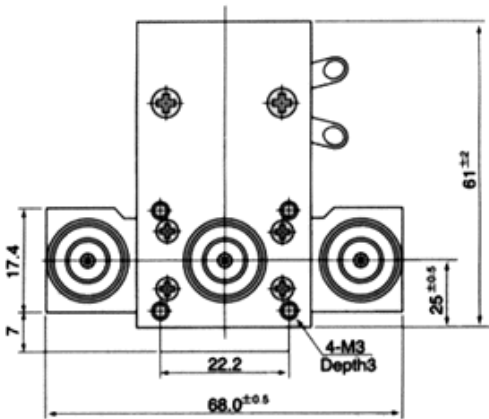
12Vdc 10Vdc - 14Vdc 52 ± 10% 20
Note : Other voltages are also available at option.

Schematic



NON GROUNDING

DIMENSIONS



SCALE m/m

Specifications are subject to change without notice.

Question & coments? send mail info@tohtsu.com